

SD90 Slot Drain Installation

Paving installation

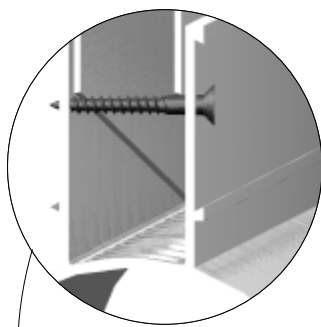
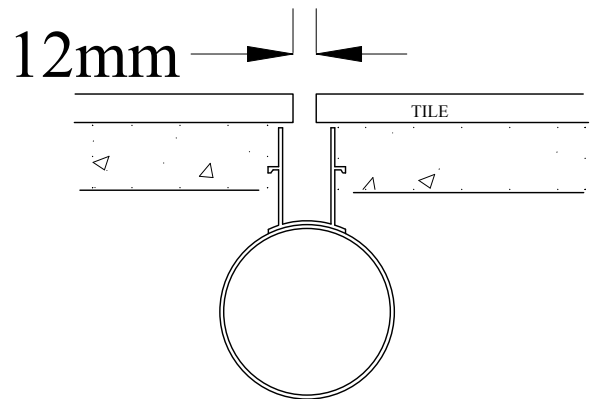
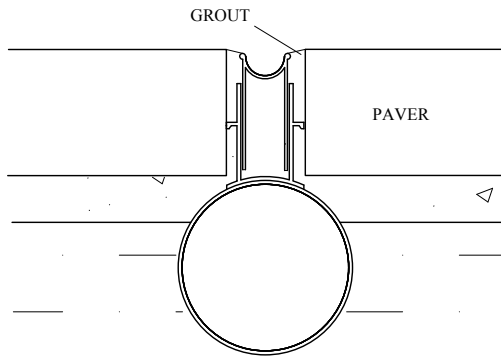
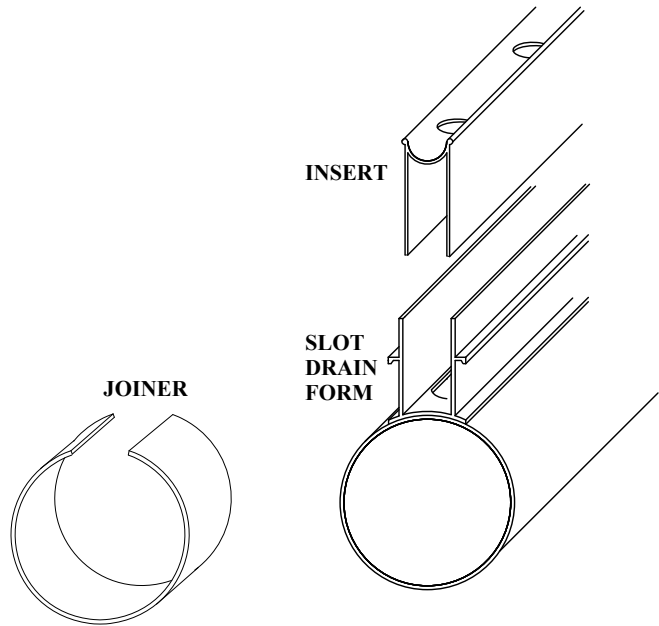
DRAIN FORM 3m long, heavy duty UPVC.
with 20 slots (23 x 130) into pipe.

INSERT colour beige, UV stable UPVC.
Drill holes with dowel bit or pre-drilled.

1. Glue joiner around pipes & secure with tie wire.
2. Use standard 90mm pipe fittings for bends etc.
3. Provide access to drain pipe for cleaning.
4. Allow 5mm expansion gap, between Inserts.
5. Secure drain, or it will float & move when concreting.
6. Lay pavers hard up against Insert, on mortar bed.
7. Finish concrete/paving 2mm above Insert.

INTAKE

10mm holes @ 50mm	= 0.7 L/s. metre
13mm holes @ 50mm	= 1.0 L/s. metre
12mm Open slot	= 2.0 L/s. metre
25mm Open slot	= 4.0 L/s. metre



Fix a screw or nail through the end of the SD90 form to support the SDi beige insert at the desired height. It should be set to finish 2mm lower than FFL.

Secure drain, it will move when paving.

Bed the SD90 to create desired fall to outlet. Use standard 90mm fittings to join to stormwater system



Trench as per standard stormwater requirements.

