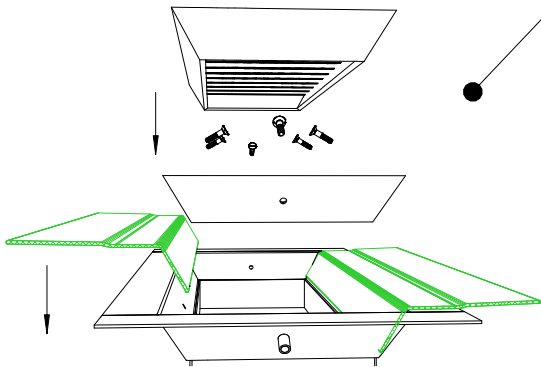


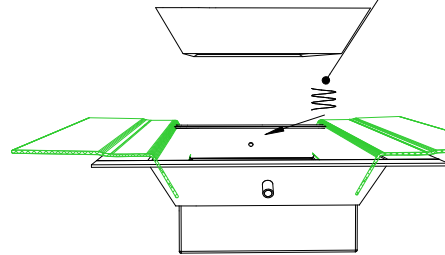
VC100-42 Linear Vinyl Clamp Drainage System



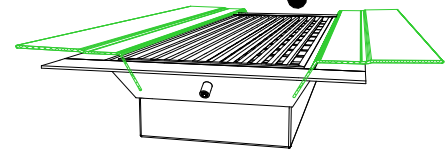
exploded view showing where vinyl will lay into tray



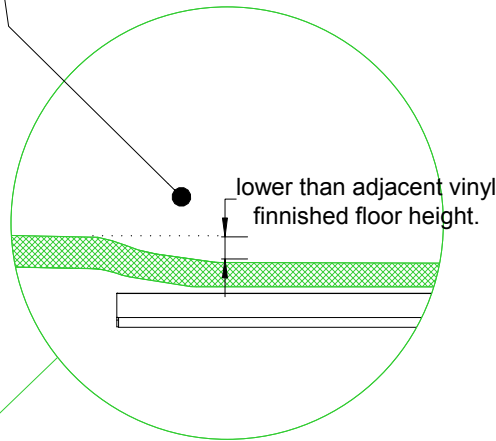
Vinyl is clamped in place & screws fastened into clamp



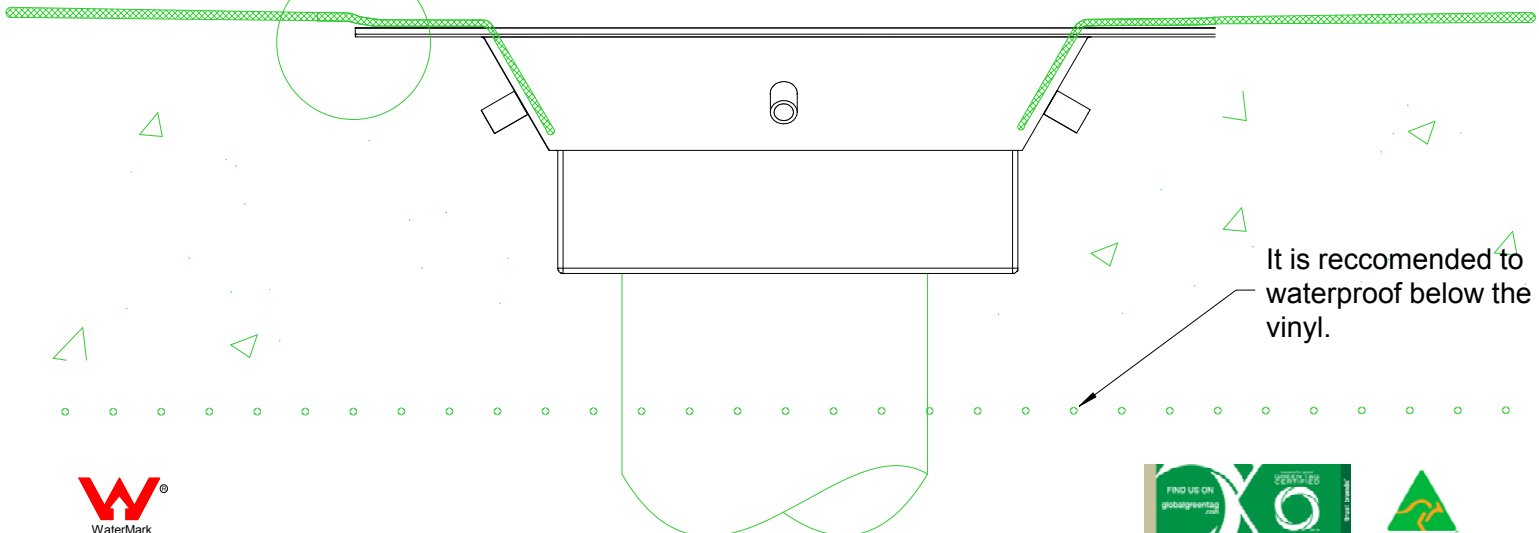
grate laid in place system complete



Ensure the clamp flange is lower than top of the vinyl.



lower than adjacent vinyl finished floor height.



It is recommended to waterproof below the vinyl.

